

➤ PRODUCT SPECIFICATIONS

A-CLASS

Print Engines for applicators



- A-4212
- A-4310
- A-4408
- A-4606
- A-6212
- A-6310

When the demands of your high performance print and apply application require more features than existing print engines offer, it's time to move up to the new Datamax A-Class™.

The Datamax A-Class family of advanced print engines includes a number of innovative design features such as stainless steel hardware components, modular electronics card cage, field installable thermal transfer ribbon assembly, a remote control panel, and a full graphics display.

Designed for print and apply applicator integration, the A-Class utilizes the industry recognized Datamax I-Class firmware architecture with connectivity options to industry standard communications interfaces.

For compliance requirements, the A-Class with RFID option allows users to encode smart labels at the point of print, where most experts agree that encoding should take place to avoid any chance of mismatch between printed and encoded information. The A-Class RFID option currently accommodates EPCglobal Class 1 tags with either 64 or 96 bits of memory. More tag encoding capabilities will be added as specifications and requirements evolve.

When you need to depend on your applicator print engine to keep your business in business, move up to the Datamax A-Class.



www.datamaxcorp.com



CORPORATE HEADQUARTERS

4501 Parkway Commerce Blvd.
Orlando, Florida USA 32808
Phone (407) 578-8007
Fax (407) 578-8377
customer-care@datamaxcorp.com

DATAMAX LABELS AND RIBBONS

Phone (800) 321-2233
Fax (800) 436-8920
dmxmedia@datamaxcorp.com

DATAMAX LATIN AMERICA

Phone (407) 523-5520
Fax (407) 578-8377
tdelegado@datamaxcorp.com

DATAMAX INTERNATIONAL

Phone +44 1279 772200
Fax +44 1279 424448
rbyrne@datamaxcorp.com

**DATAMAX ASIA-PACIFIC
REPRESENTATIVE OFFICE**

Phone +65-6542-2611
Fax +65-6542-3611
datamax@pacific.net.sg

**DATAMAX CHINA
REPRESENTATIVE OFFICE**

Phone +86 21 64952882
datamax_cn@china.com

PRODUCT SPECIFICATIONS

A-CLASS



Graphic LCD Display

DMXrNET Wireless Ethernet Card

DMXNet Ethernet Card



Right-hand Model, Cover Open



Rear of Printer, Slide in Card Cage

DATAMAX A-CLASS STANDARD FEATURES:

- Right-handed printer
- Media peel bar
- 4MB FLASH downloadable program memory
- 16MB DRAM memory
- Two RS-232 serial interfaces, 9pin
- One IEEE 1284 compliant parallel interface
- One USB v1.1 interface
- RS422/RS485 Interface
- One applicator interface ports (15pin) with programmable inputs and outputs
- Graphics LCD control display with backlight
- EFIGS (English, French, Italian, German, and Spanish) LCD languages
- AGFA Scalable Font Engine with CG Triumvirate™ Scalable (regular and bold condensed) fonts
- Industry standard bar code symbologies
- Time and Date battery back up
- Static brushes
- Host Computer accessible RAM/Flash memory for object temporary storage
- DPL command language
- Slide in style card cage
- Fault handling with reprint or void selection
- Parse error-tolerant command language interpretation
- Internal test labels for printhead verification, print quality validation, and internal configuration
- Resident multiple setup store and restore capability
- Time stamp at print capability
- Paper retract control after print
- Ribbon low detection and warning
- Power up diagnostics
- Resident option hardware diagnostics
- Diagnostic display and modes
- Media counters
- Front panel security
- Input line mode (ASCII text input) capability
- Option hardware auto-detection
- Scalable Font dynamic font attributes, bold and italics
- Firmware upgrades downloadable
- Audible Alert

SUPPORTED BARCODES: Code 3 of 9, UPC-A, UPC-E, Interleaved 2 of 5, Code 128, EAN-8, EAN-13, HIBC, Codabar, Plessey, UPC 2 and 5 digit addendums, Code 93, Postnet, UCC/EAN Code 128, Telepen, UPS MaxiCode, FIM, PDF417, USD-8, Datamatrix, QR Code, Aztec, TLC 39, Micro PDF417, RSS

DATAMAX A-CLASS STANDARD FEATURES:

	A-4212	A-4310	A-4408	A-4606***	A-6212	A-6310
RESOLUTION (dpi)	203	300	406	600	203	300
MAX PRINT WIDTH (in)	4.094	4.161	4.094	4.157	6.610	6.401
NOM PRINT HEAD DOT SIZE (in x in)	.0043 x .0052	.0027 x .0043	.0013 x .0018	.0008 x .0015	.0043 x .0052	.0027 x .0043
PRINT SPEED (in/sec)	2 - 12	2 - 10	2 - 8	2 - 6	2 - 12	2 - 10
MEDIA WIDTH RANGE (in)	1 - 4.65	1 - 4.65	1 - 4.65	1 - 4.65	2 - 6.70	2 - 6.70
RIBBON WIDTH RANGE (in)	1 - 4.65	1 - 4.65	1 - 4.65	1 - 4.65	2 - 6.70	2 - 6.70
MEDIA EDGE TO PRINTHEAD DOT 1, LH MODEL (in)	.070	.000	.070	.000	.000	.054
MEDIA EDGE TO PRINTHEAD DOT 1, RH MODEL (in)	.070	.070	.070	.070	.070	.070
MEDIA CORE ID RANGE (in)				N/A, External Supply		
MAX MEDIA ROLL OD* (in)				N/A, External Supply		
MAX RIBBON LENGTH** (ft)				1968		
MEDIA THICKNESS RANGE (in)				.0025 - .010		
PRINT LENGTH RANGE (in)				.25 - 99		

	A-4212	A-4310	A-4408	A-4606	A-6212	A-6310
RESOLUTION (dppm)	8.0	11.8	16.0	23.6	8.0	11.8
MAX PRINT WIDTH (mm)	104.0	105.7	104.0	105.6	167.9	162.6
NOM PRINT HEAD DOT SIZE (mm x mm)	.11 x .13	.07 x .11	.05 x .07	.03 x .06	.11 x .13	.07 x .11
PRINT SPEED (mm/sec)	50 - 304	50 - 254	50 - 203	50 - 152	50 - 304	50 - 254
MEDIA WIDTH RANGE (mm)	25 - 118	25 - 118	25 - 118	25 - 118	50 - 170	50 - 170
RIBBON WIDTH RANGE (mm)	25 - 118	25 - 118	25 - 118	25 - 118	50 - 170	50 - 170
MEDIA EDGE TO PRINTHEAD DOT 1, LH MODEL (mm)	1.78	.000	1.78	.000	.000	1.37
MEDIA EDGE TO PRINTHEAD DOT 1, RH MODEL (mm)	1.78	1.78	1.78	1.78	1.78	1.78
MEDIA CORE ID RANGE (mm)				N/A, External Supply		
MAX MEDIA ROLL OD* (mm)				N/A, External Supply		
MAX RIBBON LENGTH** (M)				600		
MEDIA THICKNESS RANGE (mm)				.06 - .25		
PRINT LENGTH RANGE (mm)				6 - 2500		

* Labels wound out only

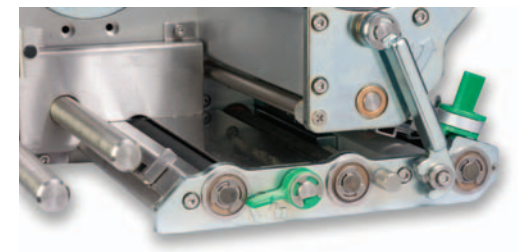
** Coated side in only

*** The A-4606 is only available as a custom order. Contact your Datamax representative for lead times.

DATAMAX A-CLASS OPTIONS:

- LEFT-HANDED VERSIONS
- DIRECT THERMAL (no ribbon)
- RIBBON SAVER
- INTERNAL WIRELESS LAN (DMXrINET)
- INTERNAL ETHERNET LAN (DMXNET)
- EXTERNAL ETHERNET LAN (DMX-100)
- INTERNAL TWINAX/COAX INTERFACE
- REMOTE FRONT PANEL DISPLAY
- RFID (Encodes EPC Class 1 tags)
- EXTERNAL KEYBOARD SUPPORT
- 8MB FLASH MAIN LOGIC BOARD
- LINERLESS (Special Order)
- INTERNATIONAL LANGUAGE PRINT CAPABILITY (ILPC) consisting of one of the following:
 - CG-TIMES SCALABLE FONT
 - KANJI GOTHIC B & E SCALABLE FONTS
 - SIMPLIFIED CHINESE GB SCALABLE FONT
 - KOREAN HANGUL SCALABLE FONT
 - SUPPORTS BIG 5 ENCODING

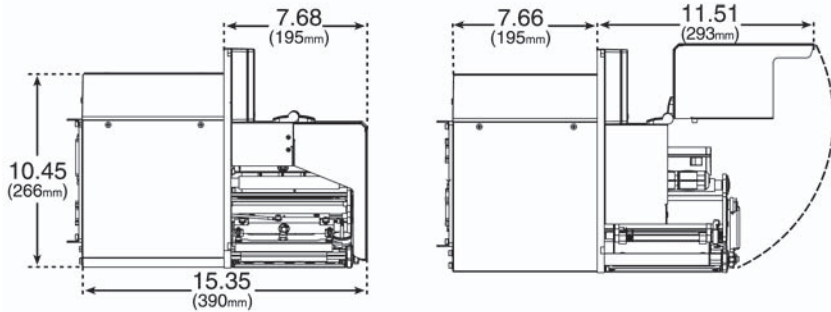
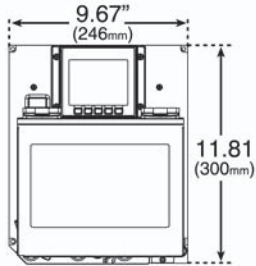
440 lb dynamic load capacity bearings on common platen rollers



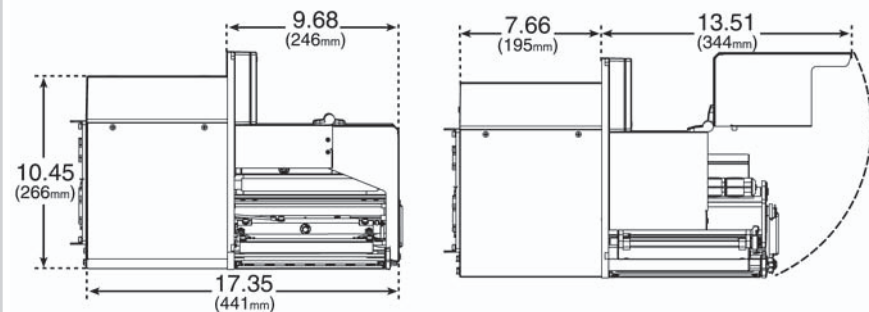
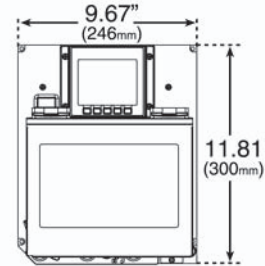
➤ PRODUCT SPECIFICATIONS

A-CLASS

- A-4212
- A-4310
- A-4408
- A-4606



- A-6212
- A-6310



www.datamaxcorp.com

Built to UL, Canadian, and European safety standards, FCC Class A emissions standard and CE Mark. This data sheet is for informational purposes only. DATAMAX MAKES NO WARRANTIES, EXPRESSED OR IMPLIED IN THIS SUMMARY. Specifications are subject to change without notice. All trademarks are the property of their respective owners. ©2004 DATAMAX BAR CODE PRODUCTS CORPORATION. All rights reserved. Datamax is an ISO 9001 registered company.